

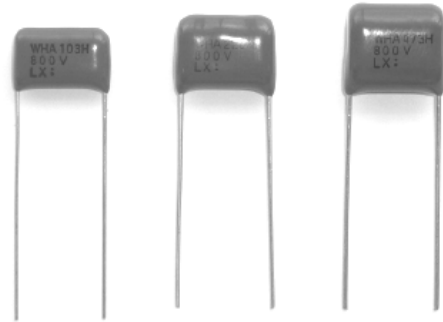
Metallized Polypropylene Film Capacitors

Type: **ECWH(A)**

Designed for high frequency and current applications.

■ Features

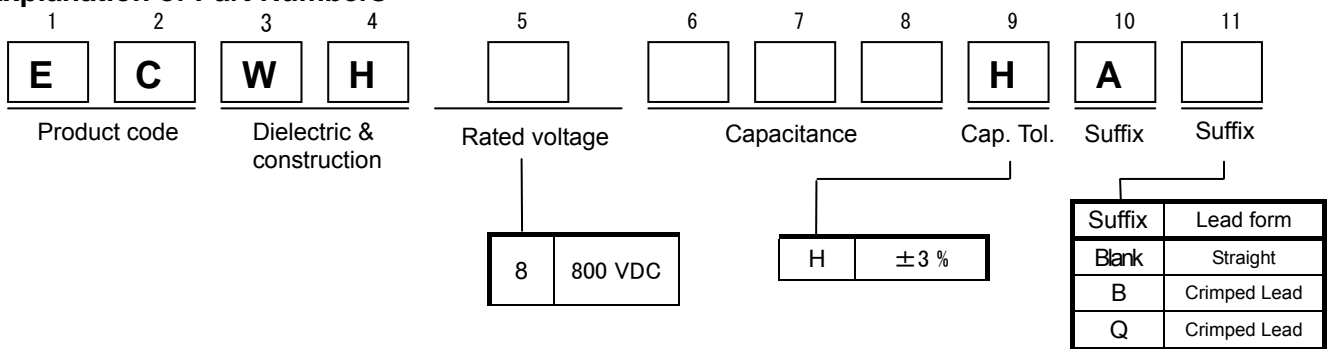
- Small size
- Excellent frequency characteristics
- Low loss
- Low Hum Sound Noise
- RoHS directive compliant



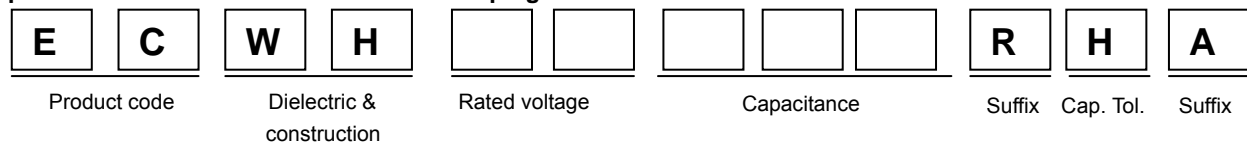
■ Recommended Applications

- Resonance circuit for power supply

■ Explanation of Part Numbers



● Explanation of Part Numbers for Odd Size Taping



■ Specifications

Category temp. range (Including temperature-rise on unit surface)	-40 °C to +105 °C
Rated voltage	800 VDC
Capacitance range	0.010 uF to 0.047 uF
Capacitance tolerance	±3% (H)
Withstand voltage	Between terminals: Rated voltage(VDC) × 150 % 60 s
Dissipation factor (tan δ)	tan δ ≤ 0.1 % (20 °C, 1 kHz)
Insulation resistance (IR)	IR ≥ 30000 MΩ (20 °C, 500 VDC, 60 s)

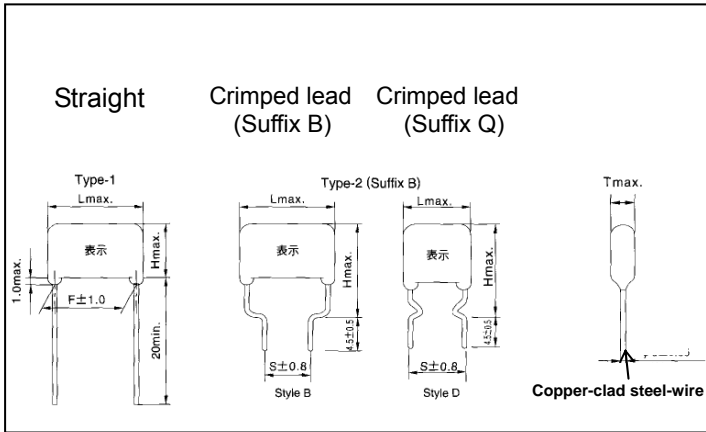
*In case of applying voltage in alternating current (50 Hz or 60 Hz sine wave) to a capacitor with DC rated voltage, please refer to the page of "Permissible voltage (R.M.S) in alternating current corresponding to DC rated voltage".

■ Dimensions in mm (not to scale)

■ Packing Specifications for Bulk Package

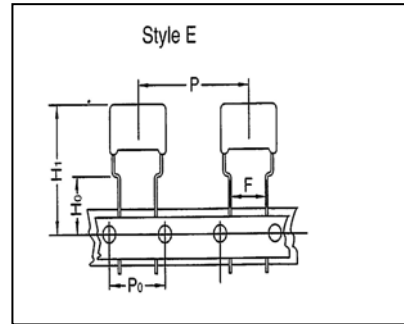
Design, Specifications are subject to change without notice. Ask factory for technical specifications before purchase and/or use. Whenever a doubt about safety arises from this product, please inform us immediately for technical consultation without fail.

Packing quantity: 100 pcs/bag



■ Taping Specifications for Automatic Insertion

● Taping style



※Refer to the page of taping specifications.

● Packaging Specifications

Type	Rated voltage	Cap. Range (uF)	Taping Style						Packing	Suffix	
			AD	AS	B	C	D	E			
ECWH(A)	800 VDC	0.010 to 0.047							○	Ammo	RHA

● Lead Spacing

Style	Lead spacing
E	7.5 mm

■ Rating, Dimension & Quantity / Ammo Box

● Type ECWH(A) Rated voltage : 800 VDC

Part No.	Capacitance (uF)	Dimensions (mm)									Quantity
		L ^{max}	T ^{max}	H ^{max}			F	S		Φ d	
				Straight	Crimped lead (Suffix B)	Crimped lead (Suffix Q)		Straight	Crimped lead (Suffix B)		
ECWH8103HA()	0.010	15.4	5.4	9.8	14.8	14.8	12.5	7.5	12.5	0.6	500
ECWH8123HA()	0.012	15.4	5.8	10.2	15.2	15.2	12.5	7.5	12.5	0.6	
ECWH8153HA()	0.015	15.4	6.2	10.6	15.6	15.6	12.5	7.5	12.5	0.6	
ECWH8183HA()	0.018	15.7	6.6	11.0	16.0	18.0	12.5	7.5	12.5	0.8	
ECWH8223HA()	0.022	15.7	7.1	11.5	16.5	18.5	12.5	7.5	12.5	0.8	400
ECWH8273HA()	0.027	15.7	7.6	12.0	17.0	19.0	12.5	7.5	12.5	0.8	
ECWH8333HA()	0.033	15.7	8.4	12.8	17.8	19.8	12.5	7.5	12.5	0.8	300
ECWH8393HA()	0.039	15.7	8.9	13.3	18.3	20.3	12.5	7.5	12.5	0.8	
ECWH8473HA()	0.047	15.7	9.7	14.1	19.1	21.1	12.5	7.5	12.5	0.8	

